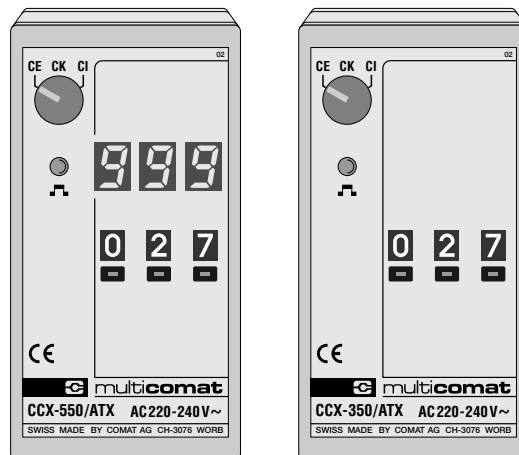


## Preset Counters

CC



CE

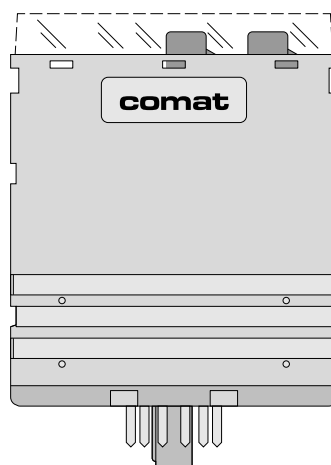
Electronic Preset Counters of the series CC point out the following main characteristics:

- Plug in Preset Counters with 2 change-over contacts 6A, 250V~
- Touch contact with digital display (CCX-550)
- 11 pin submagnal plug as specification IEC 67-1-18a
- Suitable for front panel mounting with accessory FZ-23
- Digital value display (CCX-550) and LED indication of the relay function

**KÜHN**

Kühn Controls S.L.  
Vertriebsbüro Deutschland  
Gräfenhäuser Str. 14  
D-75305 Neuenbürg  
Tel.: +49- (0)7082-940000  
Fax: +49- (0)7082-940001  
eMail: sales@kuehn-controls.de  
www.multicomat.net

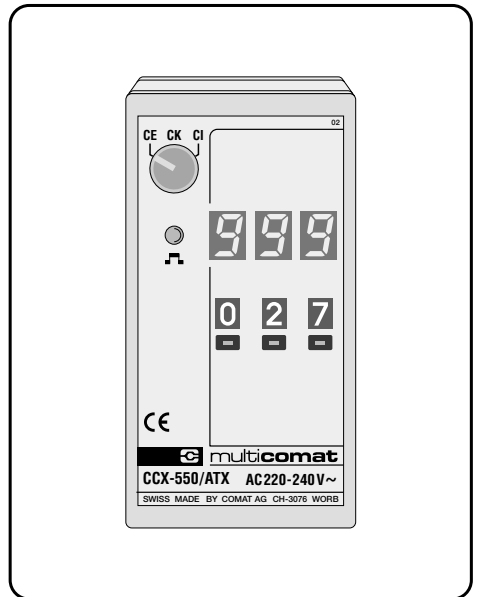
**comat**  
INDUSTRIELLE ELEKTRONIK



| Type    | Decades/Select | Decades/Display | Max. counting frequency |
|---------|----------------|-----------------|-------------------------|
| CCX-550 | 3/0-999        | 3               | 200 Hz                  |

| Supply, Power Consumption, Type |               |       |               |       |             |
|---------------------------------|---------------|-------|---------------|-------|-------------|
|                                 | AC 50/60 Hz   |       | DC            |       | Type        |
|                                 | U min - U max | I max | U min - U max | I max |             |
| AC 220-240V~                    | 190-265V~     | 11mA  |               |       | CCX-550/ATX |
| AC 110-120V~                    | 90-140V~      | 15mA  |               |       | CCX-550/ANP |
| UC 24-48V≈                      | 19-60V~       | 110mA | 19-60V≈       | 110mA | CCX-550/UFK |

Example of order: 1 preset counter CCX-550/ATX



### Timing modes

**CE**

Q is active after reaching the preselected number of pulses. Q and C can be reset with the reset button.

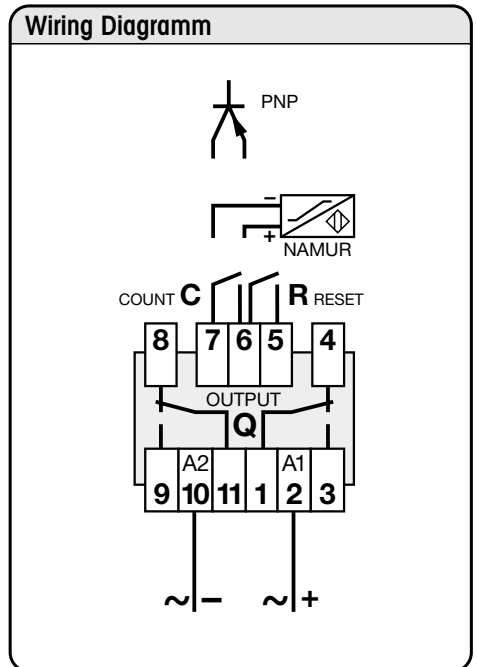
**CK**

Q is active during the preselected number of pulses and can only be reactivated after a reset. Q and C can be reset with the reset button.

**CI**

Q is active for t75...125 ms on the preselected pulse. The cycle starts again at the beginning. Q and C can be reset with the reset button.

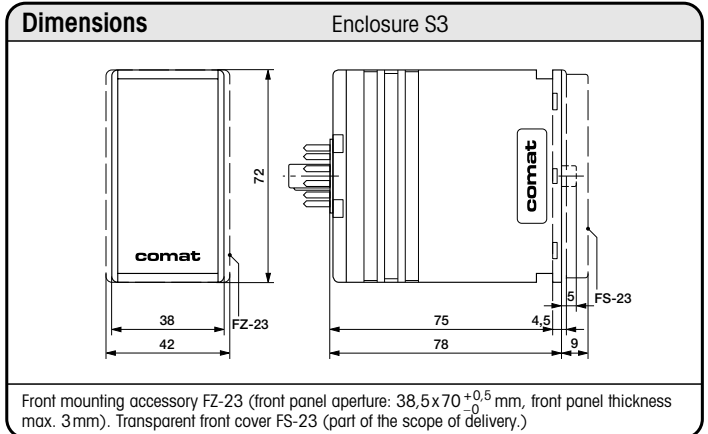
U = Voltage  
C = Count  
R = Reset  
Q = Output relays



| Technical data                 | General                               |
|--------------------------------|---------------------------------------|
| Display                        | 3-digit, 7-segment LEDs               |
| Load of triggering contact C/R | 3mA/<15V                              |
| Triggering time C              | ≥ 2,5 ms                              |
| Triggering time R              | ≥ 35ms                                |
| Reset time                     | 50ms                                  |
| Climate                        | 10-95% relat. humidity not condensing |
| Ambient temperature range      | -25... +60°C                          |
| Storage temperature range      | -25... +80°C                          |
| Transient voltage protection   | IEC 255.4. app. E, class III          |
| Specifications                 | VDE 0435/0110 Gr.C, CE                |
| Protection/case material       | IP 40/Noryl SE1 to UL 94 V-1          |
| Weight incl. packing           | approx. 180g                          |

| Technical data         | Output circuit           |
|------------------------|--------------------------|
| Switching current max. | 6A                       |
| Switching voltage max. | 250V                     |
| Breaking capacity      | AC: 1500VA; DC: ... 250W |
| Mechanical life        | 30 million operations    |
| Contact material       | Ag Ni 90/10              |

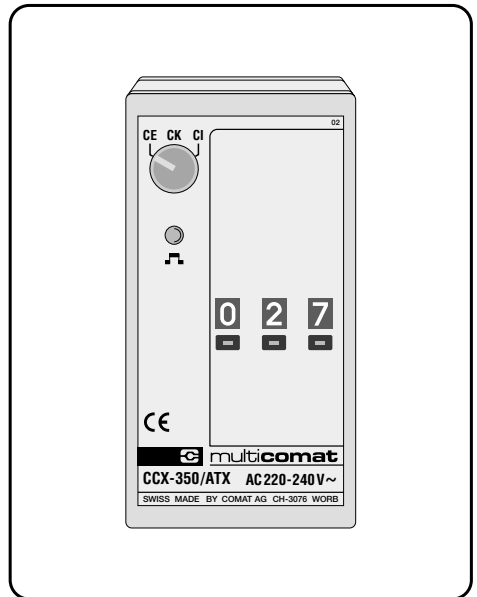
These values are valid for ohmic load or for inductive loading with spark arrest. Other contact material on request.



| Type    | Decades/Select | Decades/Display | Max. counting frequency |
|---------|----------------|-----------------|-------------------------|
| CCX-350 | 3/0-999        | -               | 200 Hz                  |

| Supply, Power Consumption, Type |               |       |               |       |             |
|---------------------------------|---------------|-------|---------------|-------|-------------|
| ⚡                               | AC 50/60 Hz   |       | DC            |       | Type        |
|                                 | U min - U max | I max | U min - U max | I max |             |
| AC 220-240V~                    | 190-265V~     | 11mA  |               |       | CCX-350/ATX |
| AC 110-120V~                    | 90-140V~      | 15mA  |               |       | CCX-350/ANP |
| UC 24-48V≈                      | 19-60V~       | 110mA | 19-60V≈       | 110mA | CCX-350/UFK |

Example of order: 1 preset counter CCX-350/ATX



### Timing modes

**CE**

Q is active after reaching the preselected number of pulses. Q and C can be reset with the reset button.

**CK**

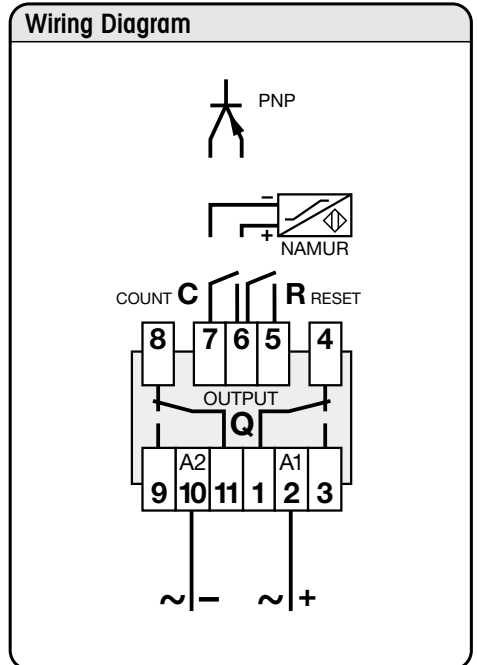
Q is active during the preselected number of pulses and can only be reactivated after a reset. Q and C can be reset with the reset button.

**CI**

Q is active for t75...125ms on the preselected pulse. The cycle starts again at the beginning. Q and C can be reset with the reset button.

ON  
 OFF

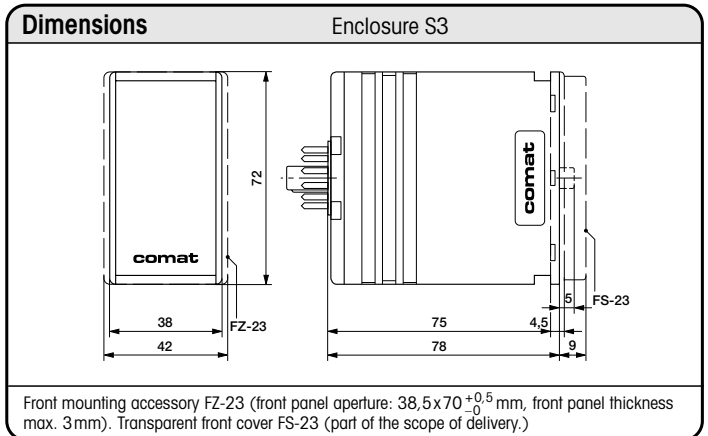
U = Voltage  
 C = Count  
 R = Reset  
 Q = Output relays



| Technical data                 | General                               |
|--------------------------------|---------------------------------------|
| Load of triggering contact C/R | 3mA/<15V                              |
| Triggering time C              | ≥ 2,5ms                               |
| Triggering time R              | ≥ 35ms                                |
| Reset time                     | 50ms                                  |
| Climate                        | 10-95% relat. humidity not condensing |
| Ambient temperature range      | -25... +60°C                          |
| Storage temperature range      | -25... +80°C                          |
| Transient voltage protection   | IEC 255.4. app. E, class III          |
| Specifications                 | VDE 0435/0110 Gr.C, CE                |
| Protection/case material       | IP 40/Noryl SE1 to UL 94V-1           |
| Weight incl. packing           | approx. 180g                          |

| Technical data         | Output circuit           |
|------------------------|--------------------------|
| Switching current max. | 6A                       |
| Switching voltage max. | 250V                     |
| Breaking capacity      | AC: 1500VA; DC: ... 250W |
| Mechanical life        | 30 million operations    |
| Contact material       | Ag Ni 90/10              |

These values are valid for ohmic load or for inductive loading with spark arrest. Other contact material on request.



Case **S3**

This issue replaces all previous issues.  
Availability, errors and specifications subject to change without notice.

